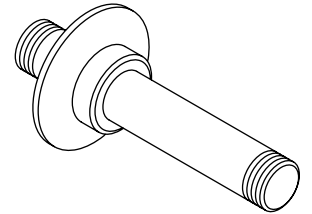


Features

- Brass construction
- 1/2" NPT connections
- Ceiling-mount
- Includes flange
- 3" (7.6 cm) straight length

**SHOWER ARM
K-7396**



Codes/Standards Applicable

Specified model meets or exceeds the following:

- ASME 112.18.1/CSA B125

Colors/Finishes

- CP: Polished Chrome
- Other: Refer to Price Book for additional colors/finishes

Specified Model

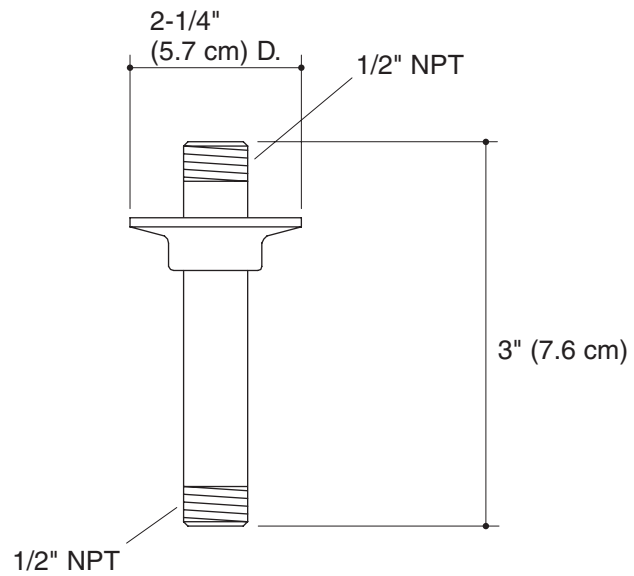
Model	Description	Color/Finish	
K-7396	Shower arm	<input type="checkbox"/> CP	<input type="checkbox"/> Other_____

Product Specification

The ceiling-mount shower arm and flange shall be of brass construction. Shower arm shall have a 3" (7.6 cm) straight length. Shower arm shall have a 1/2" NPT connection at both ends. Shower arm shall be Kohler Model K-7396-_____.

Installation Notes

Install this product according to the installation guide.



K-7396

Product Diagram