

Features

- Plug for lift rod hole.
- 4-7/16" (112 mm) spout reach.
- Less drain and lift rod.
- Stationary spout.
- ADA compliant lever handles.
- For 4" (102 mm) centers.
- Red/blue indexing.
- Vandal-resistant aerator.
- 0.5 gal/min (1.9 l/min) maximum flow rate [max at 60 psi (4.14 bar)].

Material

- Metal construction.

Optional Accessories

1160594 Large Spray Aerator 0.35 gpm (1.3 l/min)



ADA

Codes/Standards

ASME A112.18.1/CSA B125.1

NSF 61

NSF 372

All applicable US Federal and State material regulations

DOE - Energy Policy Act 1992

California Energy Commission (CEC)

ADA

ICC/ANSI A117.1

KOHLER® One-Year Limited Warranty

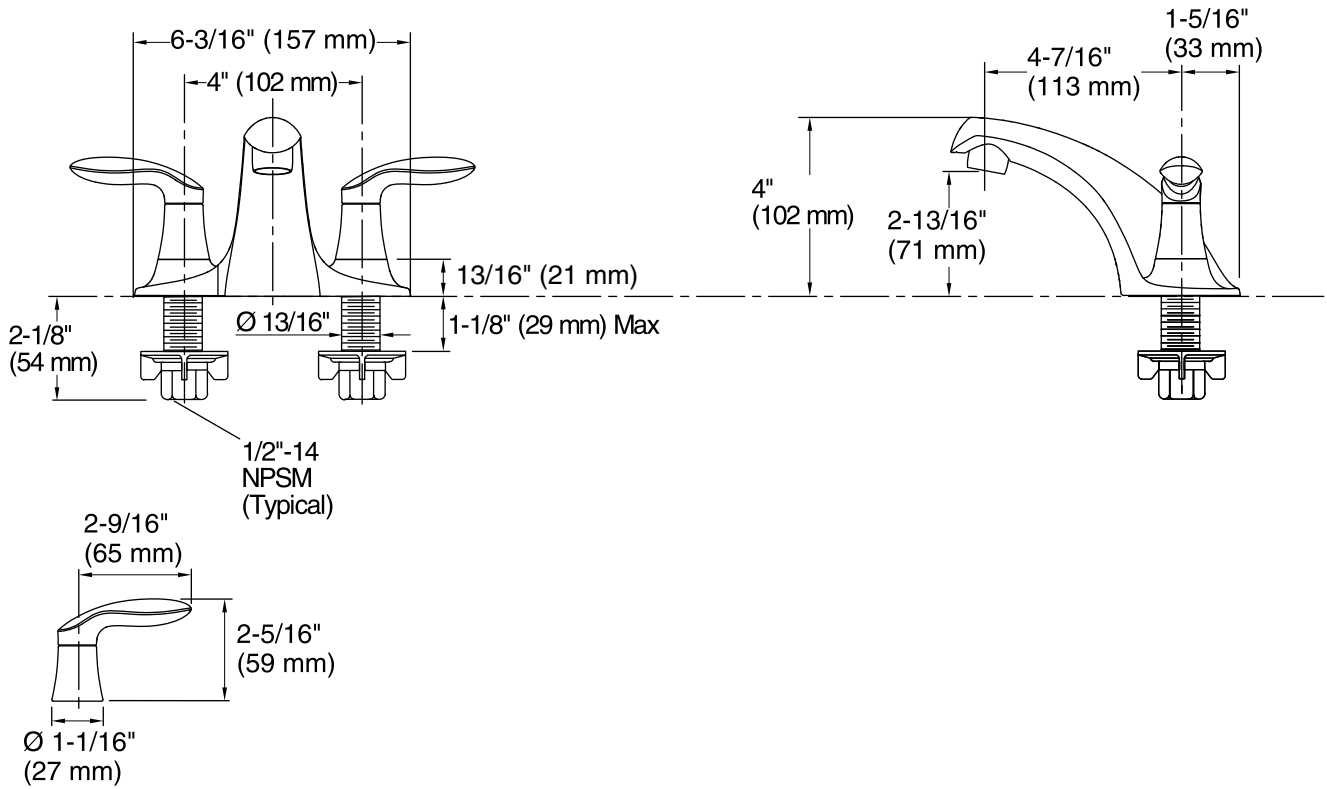
See website for detailed warranty information.

Available Color/Finishes

Color tiles intended for reference only.

Color	Code	Description
-------	------	-------------

	CP	Polished Chrome
--	----	-----------------



Technical Information

All product dimensions are nominal.

Valve body: Machined Brass

Drain included: YES

Spout:

Spout reach: 4-7/16" (112 mm)

Handle clearance: 2-9/16" (65 mm)

Faucet:

Flow rate: 0.5 gal/min (1.9 l/min)

Pressure: 60 psi (4.1 bar)

Notes

Install this product according to the installation guide.

ADA compliant when installed to the specific requirements of these regulations.