

Features

- Adjustable mounting brackets offer installation flexibility.
- Adjustable angle of handshower
- KOHLER finishes resist corrosion and tarnishing.

Material

- Metal construction

Installation

- Wall mount



ADA CSA B651 OBC

Codes/Standards



ASME A112.18.1/CSA B125.1
ADA
ICC/ANSI A117.1
CSA B651
OBC

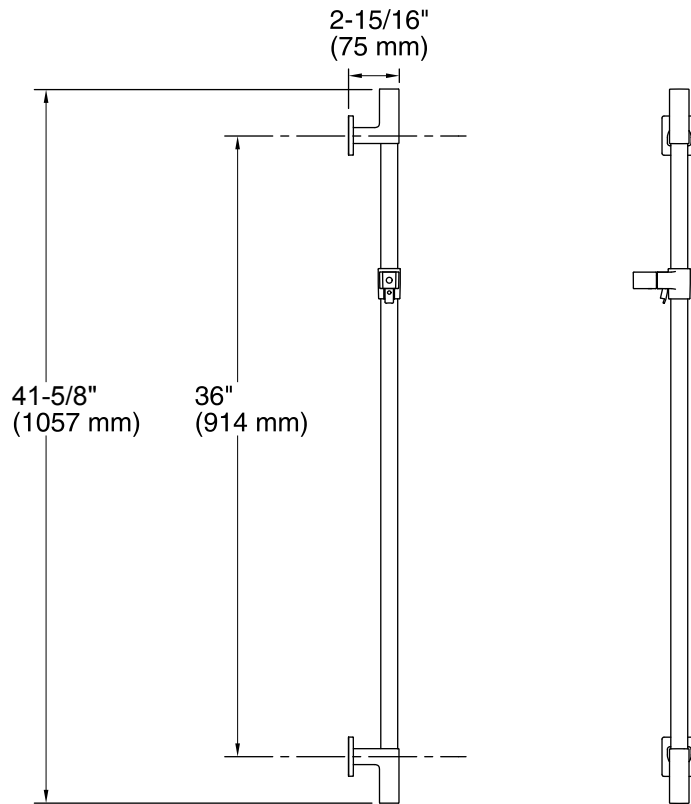
KOHLER® Faucet Lifetime Limited Warranty

See website for detailed warranty information.

Available Color/Finishes

Color tiles intended for reference only.

Color	Code	Description
	CP	Polished Chrome
	BN	Vibrant® Brushed Nickel



Technical Information

All product dimensions are nominal.

Notes

Install this product according to the installation guide.

ADA, OBC, CSA B651 compliant when installed to the specific requirements of these regulations.